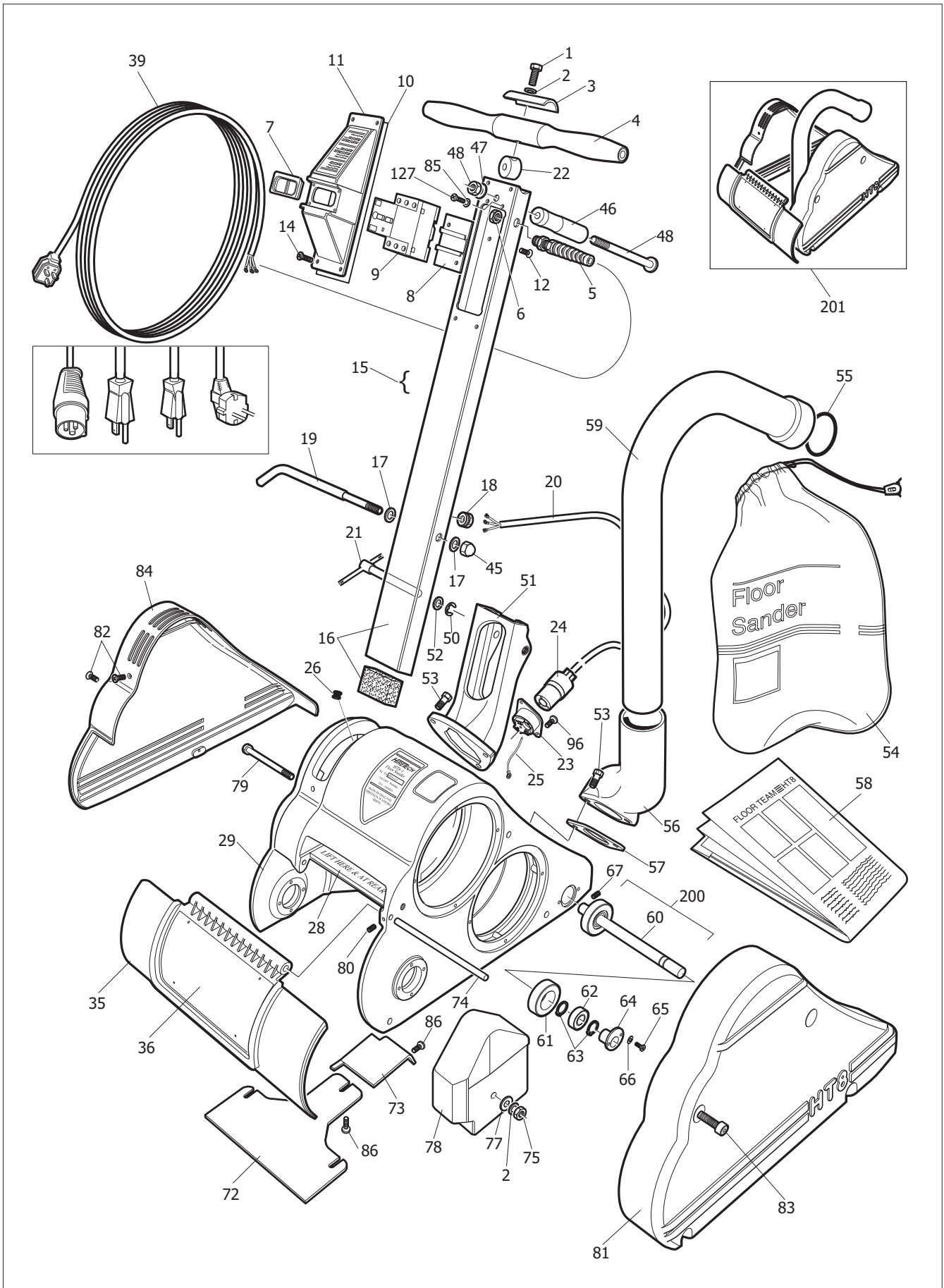


HIRETECH HT8-1.2 FLOOR SANDER PARTS DRAWING



HIRETECH HT8-1.2 FLOOR SANDER PARTS DRAWING

